

Combination type 1/2 protective device - FLT-SEC-ZP-3S-255/7,5 - 1074741

Please be informed that the data shown in this PDF Document is generated from our Online Catalog. Please find the complete data in the user's documentation. Our General Terms of Use for Downloads are valid (<http://phoenixcontact.com/download>)



Lightning current arrester, in acc. with type 1/class I, for 3-phase power supply networks, with separate N and PE (L1, L2, L3, PE, N). Suitable for equipotential bonding in systems without external lightning protection with and without overhead line supply. For mounting on 40 mm busbar systems.

Your advantages

- Fast and error-free installation, thanks to direct mounting on 40 mm rail system
- Fits in every distribution board, thanks to flexible overall width of just 47 mm or 52 mm
- Mounts securely and without tools through a universal interlock on a 5 mm and 10 mm rail thickness
- No line follow current, thanks to an innovative spark gap



Key Commercial Data

Packing unit	1 pc
GTIN	
GTIN	4055626774190

Technical data

Dimensions

Height	223.2 mm
Width	47 mm
	52 mm (with spacer lid)
Depth	110.7 mm
Horizontal pitch	3 Div.

Ambient conditions

Degree of protection	IP30 (Installed)
Ambient temperature (operation)	-40 °C ... 80 °C
Ambient temperature (storage/transport)	-40 °C ... 80 °C
Altitude	≤ 6000 m (amsl (above mean sea level))
Permissible humidity (operation)	5 % ... 95 %

Combination type 1/2 protective device - FLT-SEC-ZP-3S-255/7,5 - 1074741

Technical data

General

IEC test classification	I + II
	T1 + T2
EN type	T1 + T2
IEC power supply system	TN-S
	TT
Mode of protection	L-N
	L-PE
	N-PE
Mounting type	Busbar 40 mm
Color	light grey RAL 7035
Housing material	PA 6.6-FR
	PC
Degree of pollution	2
Flammability rating according to UL 94	V-0
Type	Busbar module, one-piece
Number of positions	4
Surge protection fault message	optical

Protective circuit

Nominal voltage U_N	230/400 V AC (TN-S)
	230/400 V AC (TT)
Nominal frequency f_N	50 Hz (60 Hz)
Maximum continuous voltage U_C	255 V AC
Residual current I_{PE}	$\leq 5 \mu A$
Nominal discharge current I_n (8/20) μs (L-N)	20 kA
Nominal discharge current I_n (8/20) μs (L-PE)	20 kA
Nominal discharge current I_n (8/20) μs (N-PE)	80 kA
Impulse discharge current (10/350) μs (L-N), charge	3.75 As
Impulse discharge current (10/350) μs (L-N), specific energy	15 kJ/ Ω
Impulse discharge current (10/350) μs (L-N), peak current value I_{imp}	7.5 kA
Impulse discharge current (10/350) μs (L-PE), charge	3.75 As
Impulse discharge current (10/350) μs (L-PE), specific energy	15 kJ/ Ω
Impulse discharge current (10/350) μs (L-PE), peak current value I_{imp}	7.5 kA
Impulse discharge current (10/350) μs (N-PE), charge	15 As
Impulse discharge current (10/350) μs (N-PE), specific energy	225 kJ/ Ω
Impulse discharge current (10/350) μs (N-PE), peak current value I_{imp}	30 kA
Follow current interrupt rating I_{fi} (L-N)	25 kA
Follow current interrupt rating I_{fi} (L-PE)	25 kA
Follow current interrupt rating I_{fi} (N-PE)	100 A

Combination type 1/2 protective device - FLT-SEC-ZP-3S-255/7,5 - 1074741

Technical data

Protective circuit

Short-circuit current rating I_{SCCR}	25 kA
Voltage protection level U_p (L-N)	≤ 1.5 kV
Voltage protection level U_p (L-PE)	≤ 2 kV
Voltage protection level U_p (N-PE)	≤ 1.5 kV
TOV behavior at U_T (L-N)	337 V AC (5 s / withstand mode) 442 V AC (120 min / safe failure mode)
TOV behavior at U_T (L-PE)	442 V AC (120 min / withstand mode) 1455 V AC (200 ms / withstand mode)
TOV behavior at U_T (N-PE)	1200 V AC (200 ms / withstand mode)
Response time t_A	≤ 100 ns
Max. backup fuse with branch wiring	250 A (gG)

Connection data

Connection method	Screw connection
Screw thread	M5
Tightening torque	4.5 Nm
Stripping length	18 mm
Conductor cross section flexible	2.5 mm ² ... 35 mm ²
Conductor cross section solid	2.5 mm ² ... 35 mm ²

Standards and Regulations

Standards/regulations	IEC 61643-11 2011
	EN 61643-11 2012

Environmental Product Compliance

	Lead 7439-92-1
China RoHS	Environmentally Friendly Use Period = 50
	For details about hazardous substances go to tab "Downloads", Category "Manufacturer's declaration"

Drawings

Combination type 1/2 protective device - FLT-SEC-ZP-3S-255/7,5 - 1074741

Product drawing

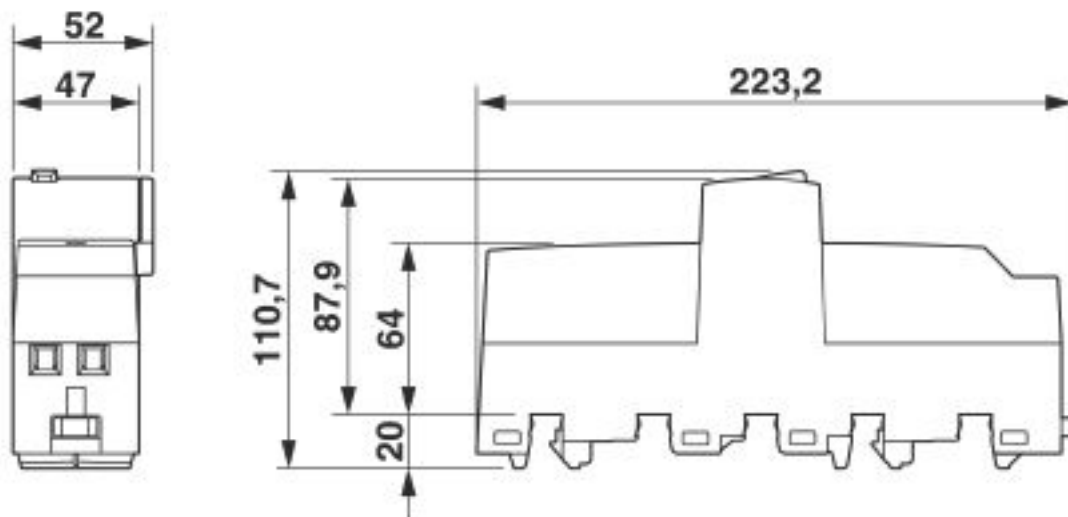


Application drawing



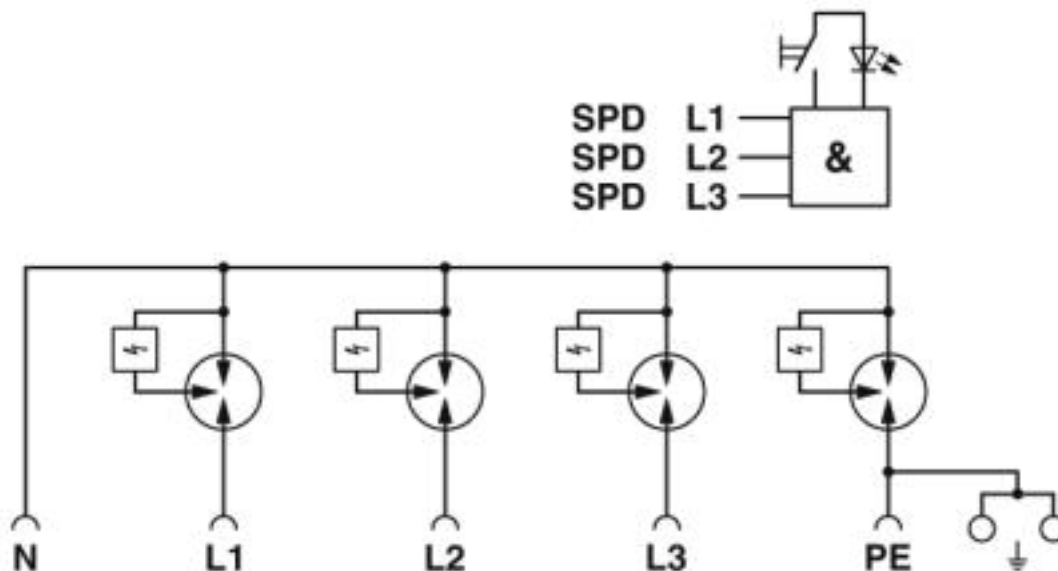
Combination type 1/2 protective device - FLT-SEC-ZP-3S-255/7,5 - 1074741

Dimensional drawing



The figure shows the product with included spacer lid

Circuit diagram



Approvals

Approvals

Combination type 1/2 protective device - FLT-SEC-ZP-3S-255/7,5 - 1074741

Approvals

Approvals

CCA / KEMA-KEUR / IECCEB Scheme / VDE Zeichengenehmigung

Ex Approvals

Approval details

CCA			NTR-NL 7693
KEMA-KEUR		http://www.dekra-certification.com	71-104380
IECEE CB Scheme		http://www.iecee.org/	NL-52556
VDE Zeichengenehmigung		http://www2.vde.com/de/Institut/Online-Service/VDE-gepruefteProdukte/Seiten/Online-Suche.aspx	40048381

Phoenix Contact 2019 © - all rights reserved
<http://www.phoenixcontact.com>

PHOENIX CONTACT GmbH & Co. KG
Flachsmarktstr. 8
32825 Blomberg
Germany
Tel. +49 5235 300
Fax +49 5235 3 41200
<http://www.phoenixcontact.com>