

Patch panels - PP-RJ-IDC-F - 2703023

Please be informed that the data shown in this PDF Document is generated from our Online Catalog. Please find the complete data in the user's documentation. Our General Terms of Use for Downloads are valid (<http://phoenixcontact.com/download>)



Patch panel, RJ45 socket on IDC terminal blocks, 10/100/1000 Mbps, DIN rail mounting, IP20, shield contacting with strain relief, shield current monitoring, surge protection


Your advantages

- ✓ Extended temperature range of -40°C to +75°C
- ✓ Fast connection of the field cable
- ✓ Wiring space covered with front panel cover
- ✓ Tool-free shield contacting with strain relief
- ✓ Integrated surge protection to ensure high system availability
- ✓ Shield current monitoring with visual display
- ✓ 10/100/1000 Mbps
- ✓ Shipbuilding approval in accordance with DNV GL



Distributed Network Protocol

Key Commercial Data

Packing unit	1 pc
GTIN	 4 055626 463353
GTIN	4055626463353

Technical data

Note

Utilization restriction	EMC: class A product, see manufacturer's declaration in the download area
-------------------------	---

Dimensions

Width	23.8 mm
Height	101.3 mm
Depth	86 mm

Ambient conditions

Ambient temperature (operation)	-40 °C ... 75 °C
---------------------------------	------------------

Patch panels - PP-RJ-IDC-F - 2703023

Technical data

Ambient conditions

Ambient temperature (storage/transport)	-40 °C ... 85 °C
Permissible humidity (operation)	10 % ... 95 % (non-condensing)
Altitude	≤ 5000 m (For restrictions, see the manufacturer's declaration for altitude operation)
	≤ 2000 m (Restrictions for ATEX applications)
Degree of protection	IP20 (Manufacturer's declaration)

General

Electrical isolation	FE // Ethernet
Electromagnetic compatibility	Conformance with EMC Directive 2014/30/EU
Net weight	124.2 g
Housing material	Plastic
Color	gray
MTTF	3281 Years (SN 29500 standard, temperature 25 °C, operating cycle 21 % (5 days a week, 8 hours a day))
	1245 Years (SN 29500 standard, temperature 40 °C, operating cycle 34.25 % (5 days a week, 12 hours a day))
	472 Years (SN 29500 standard, temperature 40 °C, operating cycle 100 % (7 days a week, 24 hours a day))
Degree of pollution	2
Overvoltage category	II

Power supply

Supply voltage range	36 V DC ... 52 V DC #10 % (via PoE)
	42 V DC ... 57 V DC (With UL approval)

Serial interface

Interface 1	Ethernet interface, 10/100/1000Base-T(X) according to IEEE 802.3u
Connection method	IDC connection
Transmission length	100 m (including patch cables)
Conductor cross section solid min.	0.14 mm ²
Conductor cross section solid max.	0.34 mm ²
Conductor cross section flexible min.	0.14 mm ²
Conductor cross section flexible max.	0.34 mm ²
Conductor cross section AWG min.	26
Conductor cross section AWG max.	22
Wire diameter incl. insulation	1.6 mm (Terminal block is tested with PVC insulation - other insulation materials available on request)
Pin assignment	1:1
Serial transmission speed	10/100/1000 Mbps
Maximum output current	725 mA (PoE)
Current carrying capacity	≤ 1.5 A (≤ 60 W (PoE+))
Maximum output power	60 W
Interface 2	Ethernet interface, 10/100/1000Base-T(X) according to IEEE 802.3u

Patch panels - PP-RJ-IDC-F - 2703023

Technical data

Serial interface

Connection method	RJ45 CAT5e
-------------------	------------

Function

Designation	Shield current monitoring
Switch-on threshold	≥ 30 mA
Local diagnostics	Yellow LED
Precision	± 5 %
Response time	3 s
Continuous shield current	≤ 1.5 A
Power consumption	270 mW (Shield current monitoring)
Impedance	≤ 1 Ω
Voltage	≤ 10 V

Conformance/approvals

Designation	CE
Identification	CE-compliant
Designation	ATEX
Identification	# II 3 G Ex nA nC IIC T4 Gc X
Additional text	Please follow the special installation instructions in the documentation!
Designation	UL, USA/Canada
Identification	Class I, Zone 2, AEx nA IIC T4, Ex nA IIC Gc X T4
	Class I, Div. 2, Groups A, B, C, D
Designation	UL, USA
Certificate	UL 60079-0 Ed. 6 / UL 60079-15 Ed. 4
Designation	UL, Canada
Certificate	CSA 22.2 No. 60079-0 Ed. 3 / CSA 22.2 No. 60079-15:16
Designation	Corrosive gas test
Identification	ISA-S71.04-1985 G3 Harsh Group A
Designation	Shipbuilding
Identification	DNV GL
Temperature	D
Humidity	B
Vibration	B
EMC	B

Standards and Regulations

Electromagnetic compatibility	Conformance with EMC Directive 2014/30/EU
Type of test	Vibration resistance in acc. with EN 60068-2-6/IEC 60068-2-6
Test result	10 Hz ... 57 Hz, amplitude ±3.5 mm, 57 Hz ... 150 Hz, 5g
Type of test	Shock in acc. with EN 60068-2-27/IEC 60068-2-27
Test result	30g for 11 ms, three shocks in each spatial direction
Type of test	Continuous shock according to EN 60068-2-27/IEC 60068-2-27

Patch panels - PP-RJ-IDC-F - 2703023

Technical data

Standards and Regulations

Test result	10g for 16 ms, 1000 shocks in each spatial direction
Standards/regulations	EN 61000-4-2
Contact discharge	± 6 kV (Test Level 3)
Indirect discharge	± 6 kV
Standards/regulations	EN 61000-4-3
Frequency range	80 MHz ... 3 GHz (Test Level 3)
Standards/regulations	EN 61000-4-4
Comments	Criterion B
Standards/regulations	EN 61000-4-5
Signal	± 1 kV (Data line, asymmetrical)
Standards/regulations	EN 61000-6-4
	EN 61000-4-6
Frequency range	0.15 MHz ... 80 MHz
Standards/regulations	DIN EN 61643-21
Rated insulation voltage	85 V DC
IEC test classification	C2

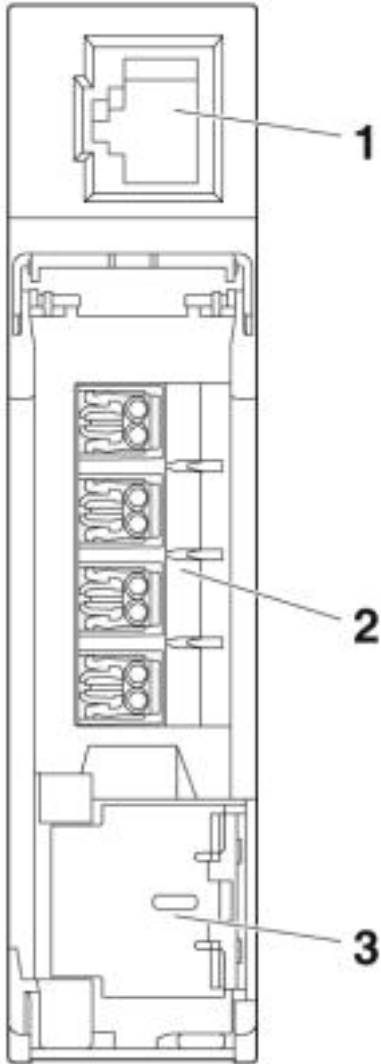
Environmental Product Compliance

REACH SVHC	Lead 7439-92-1
China RoHS	Environmentally friendly use period: unlimited = EFUP-e
	No hazardous substances above threshold values

Drawings

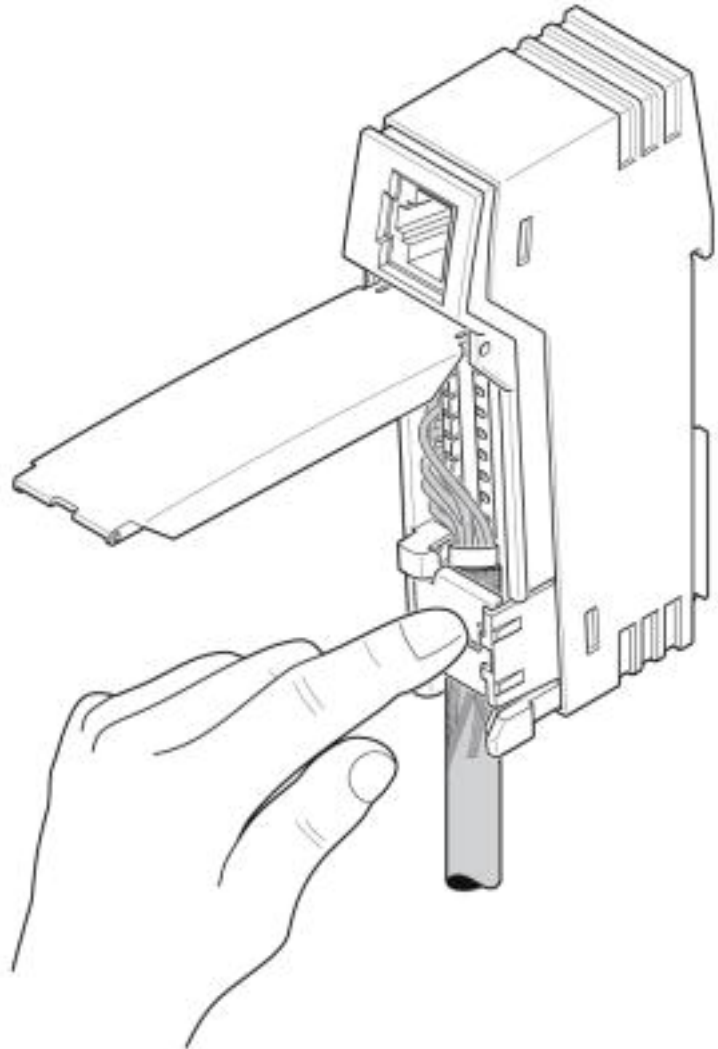
Patch panels - PP-RJ-IDC-F - 2703023

Schematic diagram



Front view

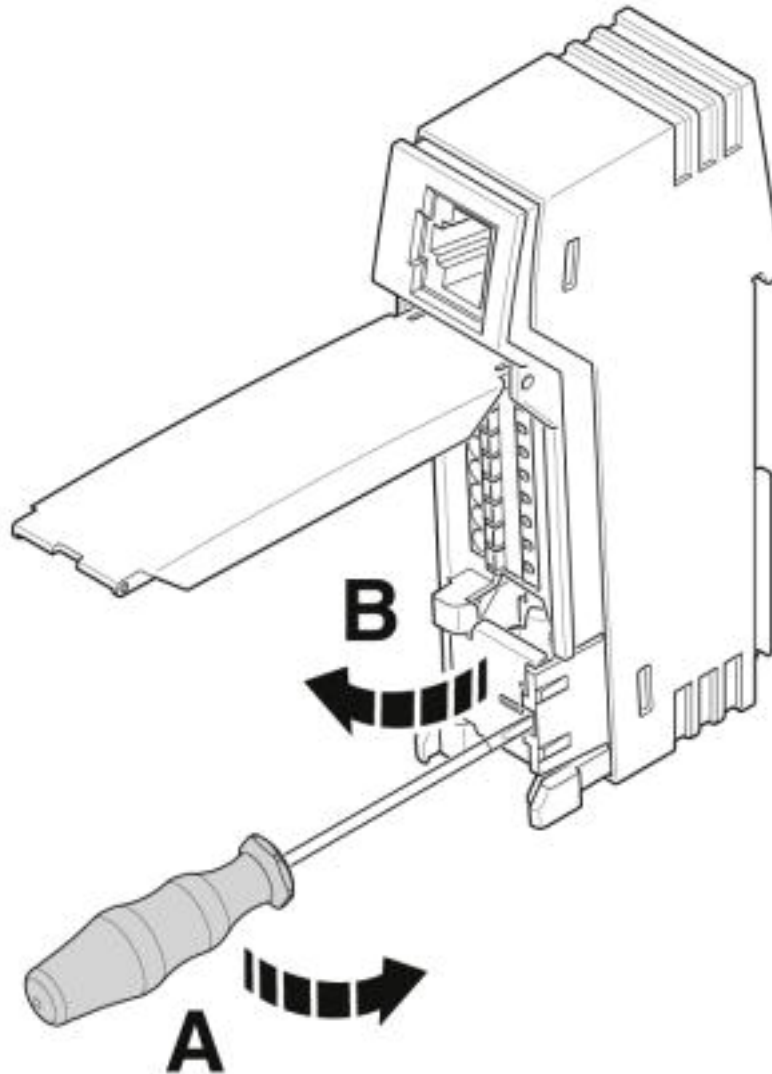
Schematic diagram



Close shield contact spring

Patch panels - PP-RJ-IDC-F - 2703023

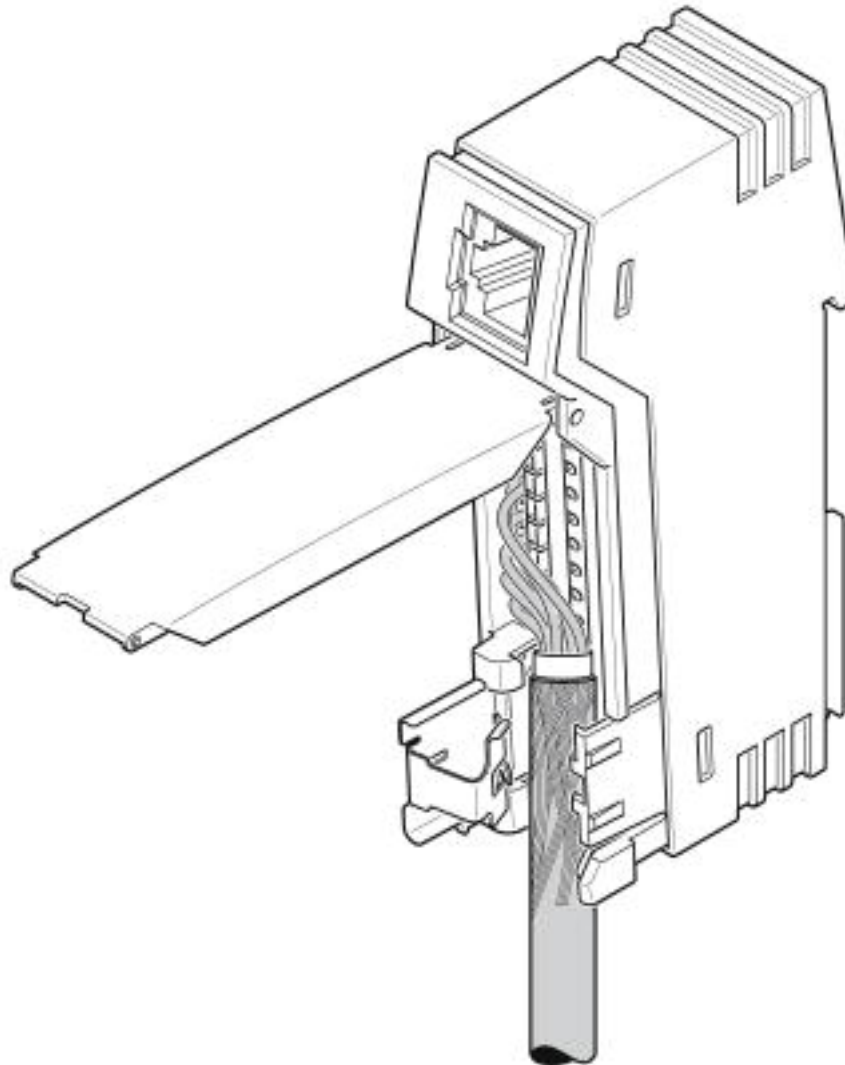
Schematic diagram



Open shield contact spring

Patch panels - PP-RJ-IDC-F - 2703023

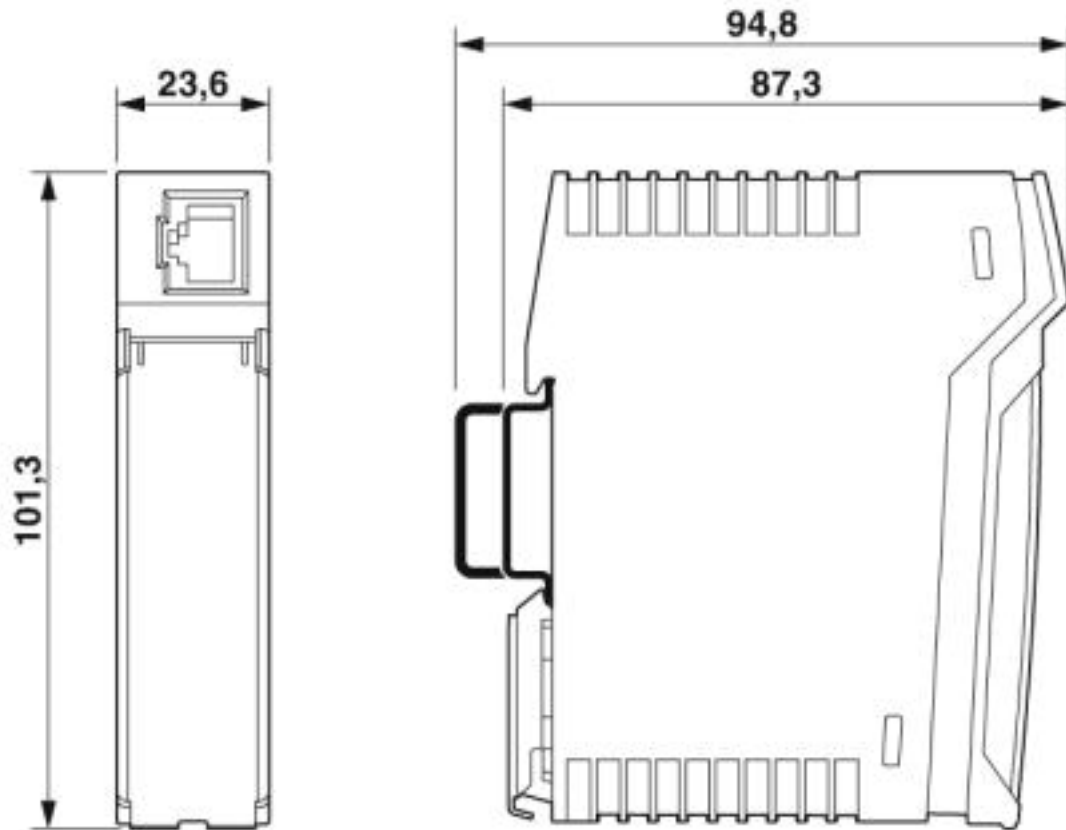
Schematic diagram



Inserting the cable

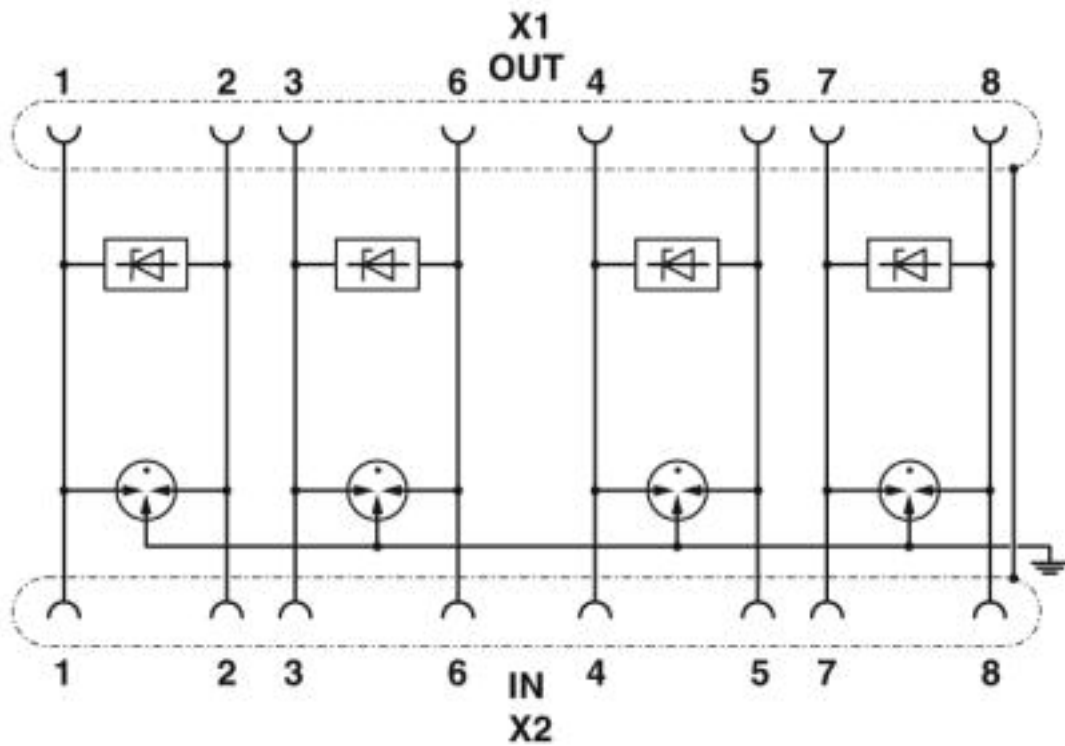
Patch panels - PP-RJ-IDC-F - 2703023

Dimensional drawing

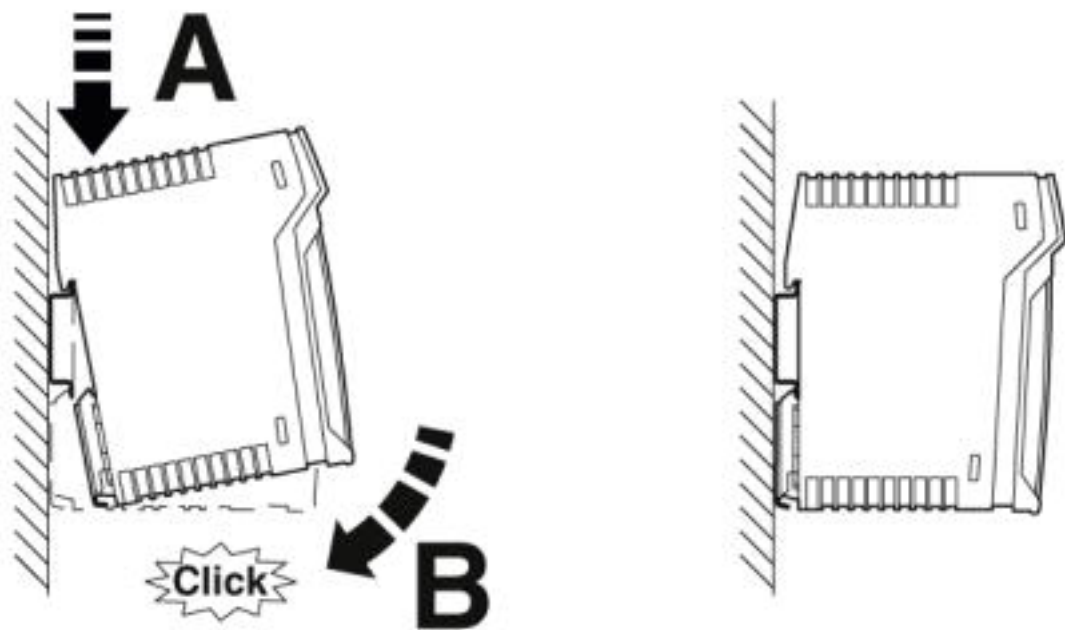


Patch panels - PP-RJ-IDC-F - 2703023

Circuit diagram



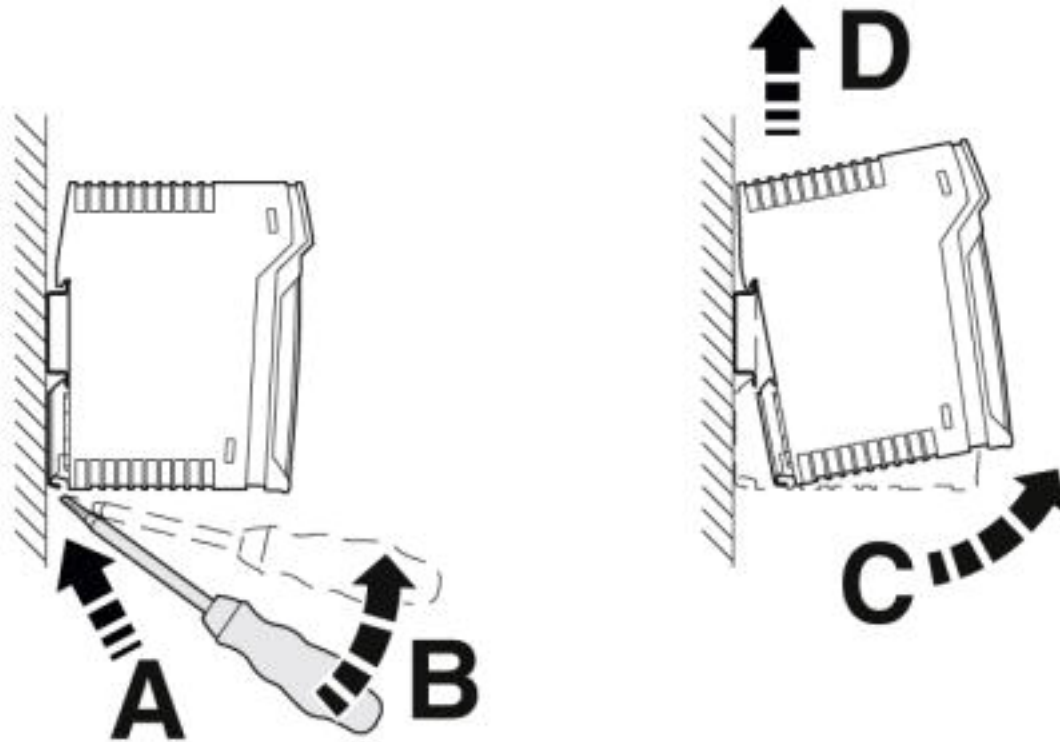
Schematic diagram



Mounting on a DIN rail

Patch panels - PP-RJ-IDC-F - 2703023

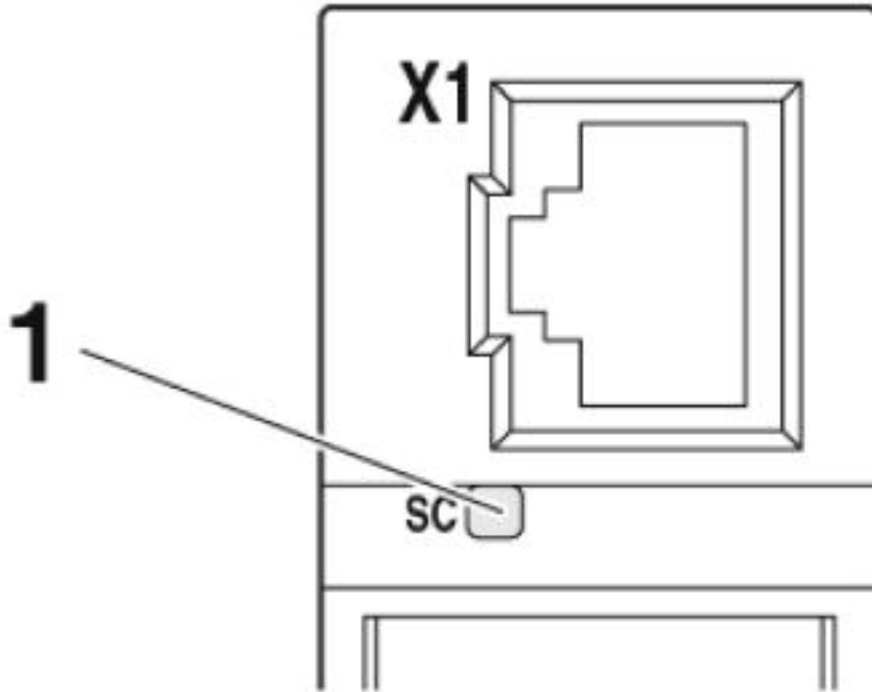
Schematic diagram



Removal

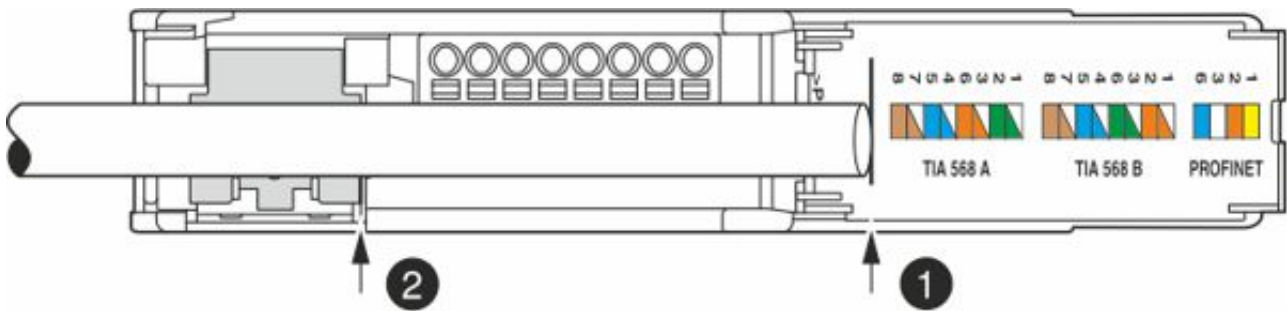
Patch panels - PP-RJ-IDC-F - 2703023

Schematic diagram



Shield current monitoring

Schematic diagram



Stripping length

Approvals

Approvals

Patch panels - PP-RJ-IDC-F - 2703023

Approvals

Approvals

UL Listed / cUL Listed / DNV GL / cULus Listed

Ex Approvals

ATEX / cULus Listed

Approval details

UL Listed		http://database.ul.com/cgi-bin/XYV/template/LISEXT/1FRAME/index.htm	FILE E 238705
-----------	--	---	---------------

cUL Listed		http://database.ul.com/cgi-bin/XYV/template/LISEXT/1FRAME/index.htm	FILE E 238705
------------	--	---	---------------

DNV GL		https://approvalfinder.dnvgl.com/	TAA00001KR
--------	--	---	------------

cULus Listed			
--------------	--	--	--

Phoenix Contact 2019 © - all rights reserved
<http://www.phoenixcontact.com>

PHOENIX CONTACT GmbH & Co. KG
Flachsmarktstr. 8
32825 Blomberg
Germany
Tel. +49 5235 300
Fax +49 5235 3 41200
<http://www.phoenixcontact.com>