

## DIN rail adapter - NBC-PP-G1PGY - 1041740

Please be informed that the data shown in this PDF Document is generated from our Online Catalog. Please find the complete data in the user's documentation. Our General Terms of Use for Downloads are valid (<http://phoenixcontact.com/download>)



DIN rail adapter, type: Headers with shielding, degree of protection: IP20, material: PC-GF10, without assembled modules

### Product Description

Compact DIN rail adapter with optional overall shielding braid, with dust protection cover, one-piece design

### Your advantages

- ✓ For distributing copper and fiber optic cabling
- ✓ Assembly without special tools
- ✓ Compact design: 1TE (DIN 43880)
- ✓ One-Piece Design
- ✓ Front release without special tool
- ✓ Optional overall shielding braid for copper modules
- ✓ Security elements available as accessories
- ✓ Marking service: Phoenix Contact can custom-mark all labels according to your requirements
- ✓ Adapter-less integration of module inserts



### Key Commercial Data

|              |               |
|--------------|---------------|
| Packing unit | 1 pc          |
| GTIN         |               |
| GTIN         | 4055626598666 |

### Technical data

#### Mechanical characteristics

|                      |                            |
|----------------------|----------------------------|
| Number of slots      | 1                          |
| Mounting type        | DIN rail: 35 mm            |
| Degree of protection | IP20                       |
| Type                 | DIN rail module, one-piece |
| Type of note         | Notes on operation         |
| Note                 | without assembled modules  |

# DIN rail adapter - NBC-PP-G1PGY - 1041740

## Technical data

### Ambient conditions

|                                 |                  |
|---------------------------------|------------------|
| Ambient temperature (operation) | -10 °C ... 60 °C |
| Degree of protection            | IP20             |

### Material data

|  |                           |
|--|---------------------------|
| Flammability rating according to UL 94 | V0                        |
| Housing material                       | PC-GF10                   |
| Contact material                       | CuSn6                     |
| Contact surface material               | Tin                       |
| Material                               | PP (Dust protection flap) |
| Depth                                  | 64.6 mm                   |

### Electrical characteristics

|                    |                                  |
|--------------------|----------------------------------|
| Contact resistance | ≤ 5 mΩ (Shield-ground, optional) |
|--------------------|----------------------------------|

### Standards and Regulations

|  |    |
|--|----|
| Flammability rating according to UL 94 | V0 |
|--|----|

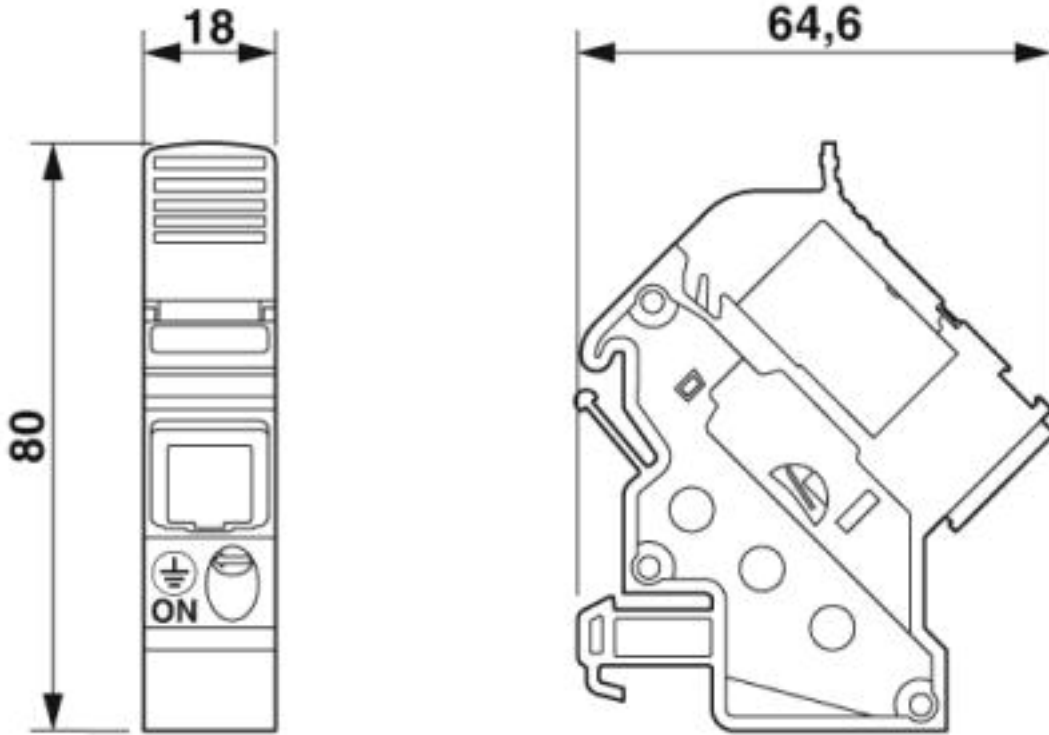
### Environmental Product Compliance

|            |   |
|------------|---|
| China RoHS | Environmentally friendly use period: unlimited = EFUP-e |
|            | No hazardous substances above threshold values          |

## Drawings

# DIN rail adapter - NBC-PP-G1PGY - 1041740

Dimensional drawing



Approvals

Approvals

---

Approvals

EAC

---

Ex Approvals

---

Approval details

|     |  |         |
|-----|--|---------|
| EAC |  | B.00767 |
|-----|--|---------|

Phoenix Contact 2019 © - all rights reserved  
<http://www.phoenixcontact.com>

PHOENIX CONTACT GmbH & Co. KG  
Flachmarktstr. 8  
32825 Blomberg  
Germany  
Tel. +49 5235 300  
Fax +49 5235 3 41200  
<http://www.phoenixcontact.com>