


## Socket - EO-CF/PT/YE - 1068067

Please be informed that the data shown in this PDF Document is generated from our Online Catalog. Please find the complete data in the user's documentation. Our General Terms of Use for Downloads are valid (<http://phoenixcontact.com/download>)



Socket, Pin connector pattern type CF, yellow, for mounting on a DIN rail in the service interface or direct mounting, -20 °C, 60 °C, VDE 0620-1

### Key Commercial Data

Packing unit	5 pc
Minimum order quantity	5 pc
GTIN	 4 055626 739656
GTIN	4055626739656

### Technical data

#### Dimensions

Width	45 mm
Height	75 mm
Depth	60 mm

#### Ambient conditions

Ambient temperature (operation)	-20 °C ... 60 °C
---------------------------------	------------------

#### General

Status display	No
Contact material	CuZn37
Color	yellow
Insulating material	PA
Flammability rating according to UL 94	V0
Standards/regulations	VDE 0620-1
Country ID	Germany

#### Connection data

Conductor cross section solid min.	0.2 mm <sup>2</sup>
------------------------------------	---------------------

## Socket - EO-CF/PT/YE - 1068067

### Technical data

#### Connection data

Conductor cross section solid max.	4 mm <sup>2</sup>
Conductor cross section flexible min.	0.2 mm <sup>2</sup>
Conductor cross section flexible max.	2.5 mm <sup>2</sup>
Conductor cross section AWG min.	24
Conductor cross section AWG max.	12

#### Standards and Regulations

Standards/regulations	VDE 0620-1
Flammability rating according to UL 94	V0
Fire protection for rail vehicles (DIN EN 45545-2) R22	HL 1 - HL 3
Fire protection for rail vehicles (DIN EN 45545-2) R23	HL 1 - HL 3
Fire protection for rail vehicles (DIN EN 45545-2) R24	HL 1 - HL 3
Fire protection for rail vehicles (DIN EN 45545-2) R26	HL 1 - HL 3

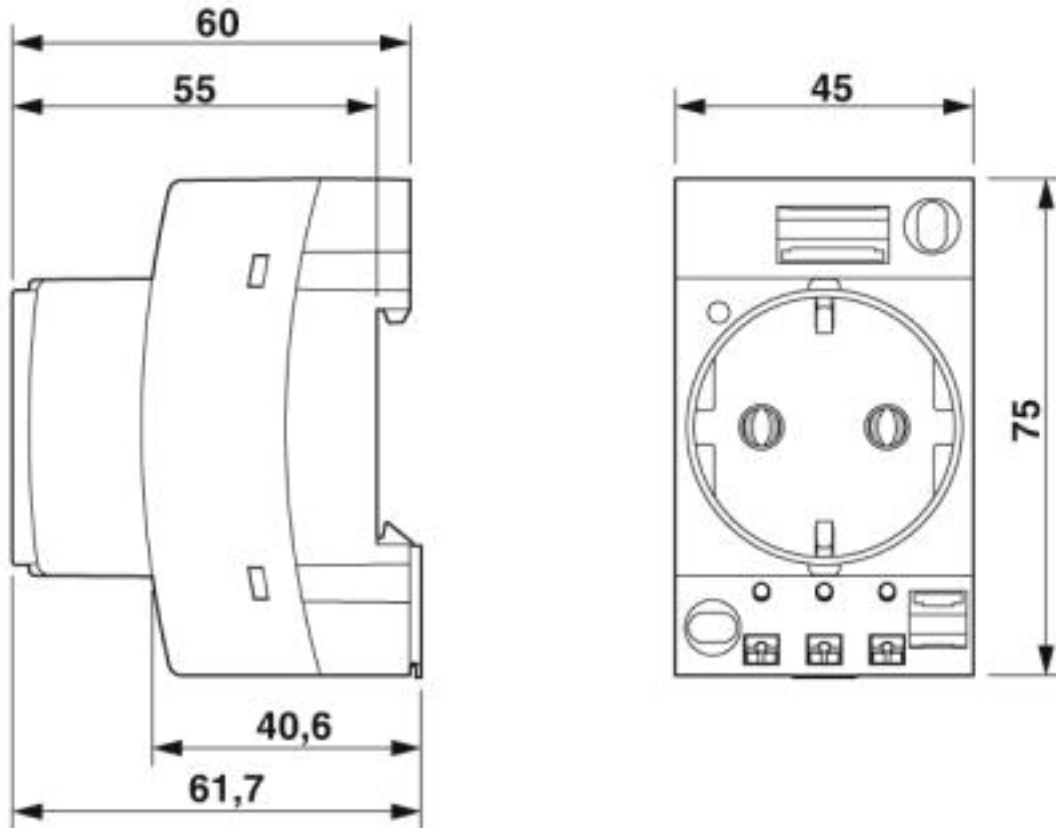
#### Environmental Product Compliance

China RoHS	Environmentally friendly use period: unlimited = EFUP-e
	No hazardous substances above threshold values

### Drawings

# Socket - EO-CF/PT/YE - 1068067

Dimensional drawing



## Approvals

Approvals

Approvals

VDE Gutachten mit Fertigungsüberwachung

Ex Approvals

## Approval details

VDE Gutachten mit Fertigungsüberwachung		<a href="http://www2.vde.com/de/Institut/Online-Service/VDE-gepruefteProdukte/Seiten/Online-Suche.aspx">http://www2.vde.com/de/Institut/Online-Service/VDE-gepruefteProdukte/Seiten/Online-Suche.aspx</a>	40047713
Nominal voltage UN	250 V		
Nominal current IN	16 A		

Phoenix Contact 2019 © - all rights reserved  
<http://www.phoenixcontact.com>

PHOENIX CONTACT GmbH & Co. KG  
Flachmarktstr. 8  
32825 Blomberg  
Germany  
Tel. +49 5235 300  
Fax +49 5235 3 41200  
<http://www.phoenixcontact.com>